

# THERMA-TRU<sup>®</sup> DOORS

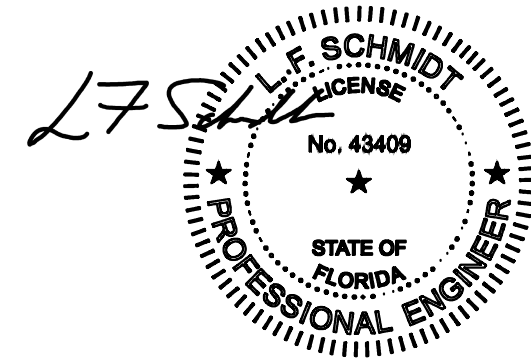
Fiber-Classic<sup>®</sup> & Smooth-Star<sup>®</sup>

## GLAZED FIBERGLASS DOUBLE DOOR w/ or w/out SIDELITES in a COMPOSITE FRAME IN SWING/OUT SWING "IMPACT"

### GENERAL NOTES

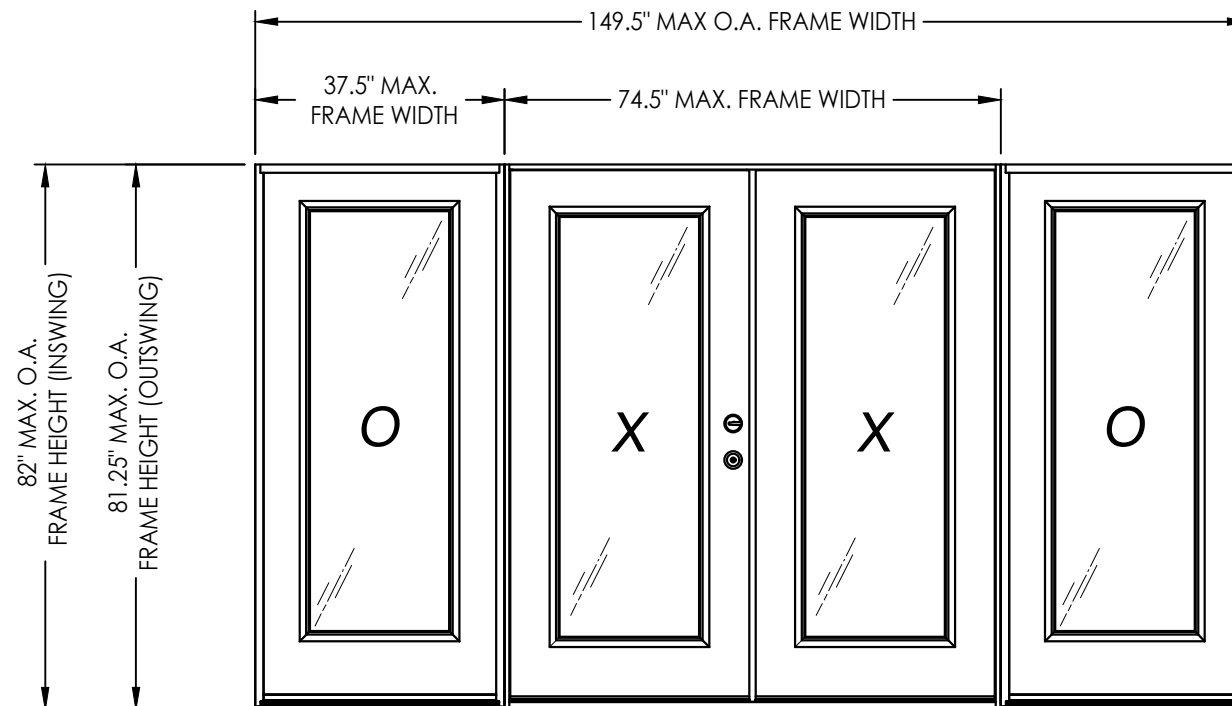
1. This product has been evaluated and is in compliance with the 8th Edition (2023) Florida Building Code (FBC) structural requirements excluding the "High Velocity Hurricane Zone" (HVHZ).
2. Product anchors shall be as listed and spaced as shown on details. Anchor embedment to base material shall be beyond wall dressing or stucco.
3. When used in areas requiring wind borne debris protection this product complies with FBC Sections 1609.1.2 & R301.2.1.2 and does not require an impact resistant covering. This product meets missile level "D" and excludes Wind Zone 4 as defined in ASTM E1996 and FBC Sections 1609.1.2.2 & R301.2.1.2.1.
4. For 2x stud framing construction, anchoring of these units shall be the same as that shown for 2x buck masonry construction.
5. Site conditions that deviate from the details of this drawing require further engineering analysis by a licensed engineer or registered architect.
6. Fiber-Classic & Smooth-Star Door panel require the use of "J" part numbers and must be stained or painted within six months of installation.

TABLE OF CONTENTS	
SHEET #	DESCRIPTION
1	Typical Elevations, Design Pressures & General Notes
2	Door Panel Details
3	Sidelite Panel Details
4	Elevations
5	Horizontal & Vertical Cross Sections (2X Buck)
6	Horizontal & Vertical Cross Sections (1X Buck)
7	Vertical Cross Sections (Thresholds)
8	Buck Anchoring
9	Frame Anchoring
10	Hardware Details
11	Lite Frame & Glazing Details
12	Bill of Materials & Components



This item has been digitally signed and sealed by L. F. Schmidt, P.E. on the date adjacent to the seal. Printed copies of this document are not considered signed and sealed and the signature must be verified on any electronic copies.

THIS PRODUCT APPROVAL IS VALID ONLY FOR THE STATE OF FLORIDA



CONFIGURATION	DESIGN PRESSURE (PSF) IN SWING		DESIGN PRESSURE (PSF) OUT SWING	
	POSITIVE	NEGATIVE	POSITIVE	NEGATIVE
XX, OXXO	+50.0	-55.0	+50.0	-50.0

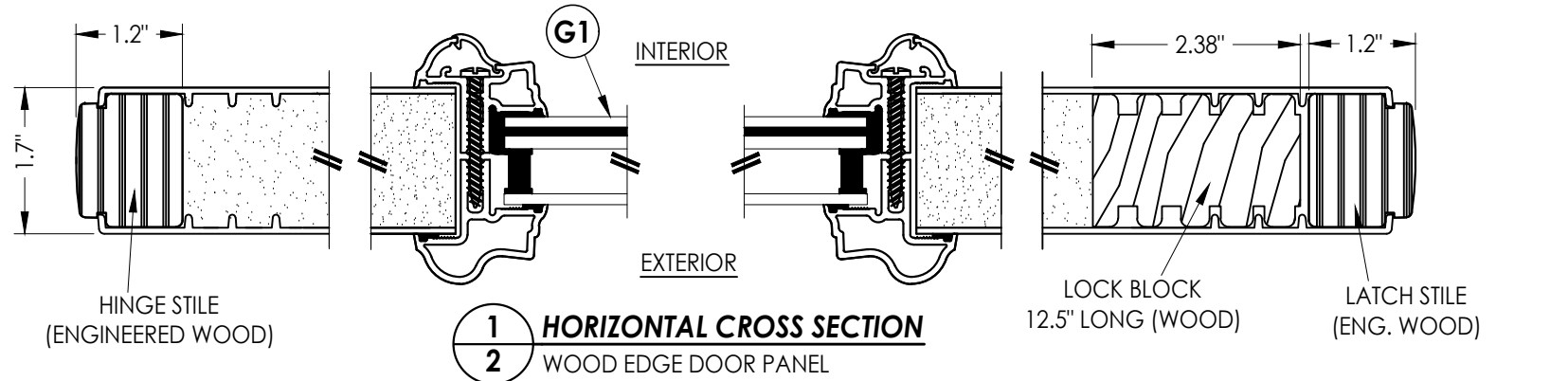
Documents Prepared By:  
Lyndon F. Schmidt  
P.E. No. 43409

RW BUILDING CONSULTANTS, INC.  
P.O. Box 230, Valrico, FL 33595  
Phone No.: 813.659.9197  
FBPE Registry No. 9813

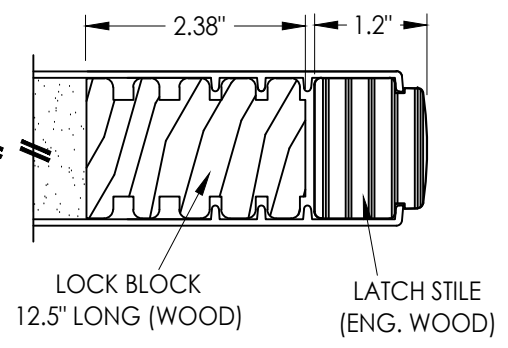
PRODUCT: THERMA-TRU FIBERGLASS DOOR  
PART OR ASSEMBLY: TYPICAL ELEVATION, DESIGN PRESSURES & GENERAL NOTES

NO.	DATE	BY	REVISIONS
1	7/27/23	LFS	UPDATE TO 8TH ED. (2023) FBC

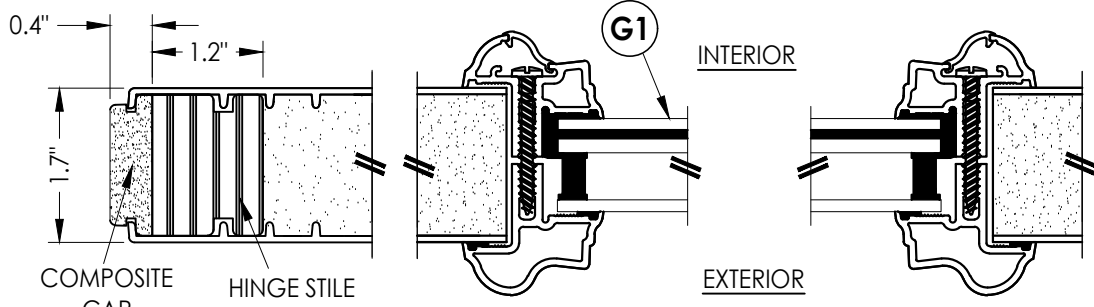
DATE: 5/18/21  
SCALE: N.T.S.  
DWG. BY: RW  
CHK. BY: LFS  
DRAWING NO.: FL-37182.6  
SHEET 1 OF 12



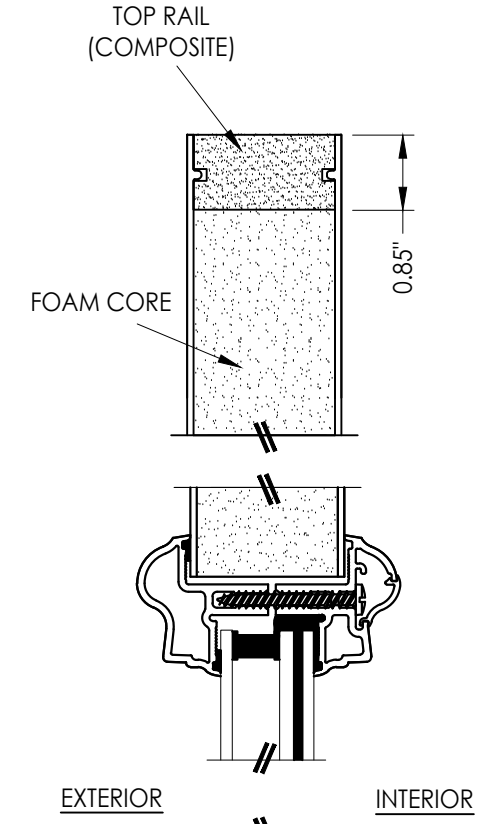
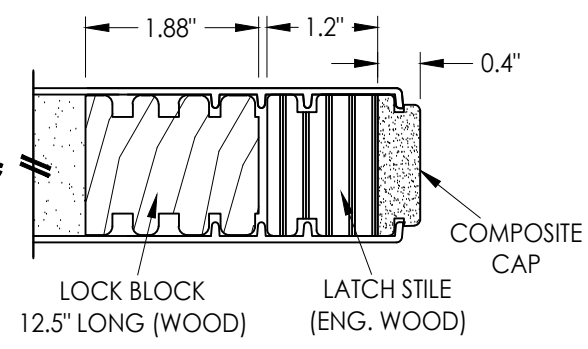
**1 HORIZONTAL CROSS SECTION**  
**2 WOOD EDGE DOOR PANEL**



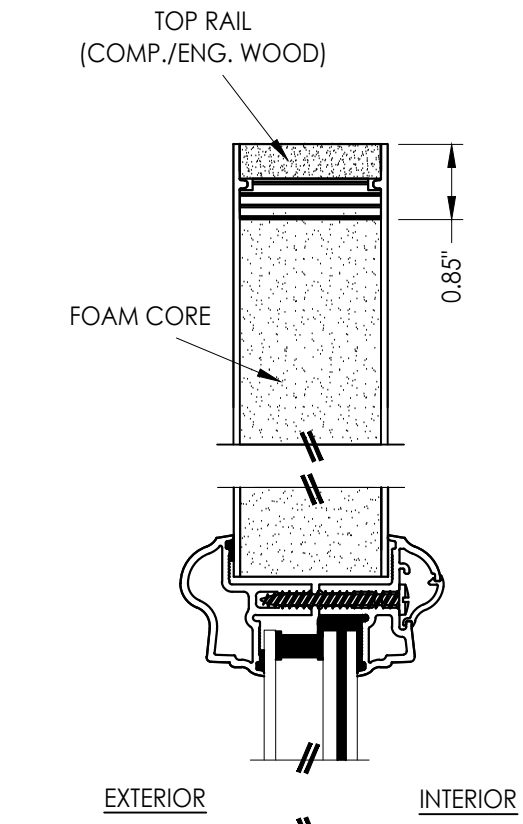
NOTE: BOOK, HYBRID & U1 DOORS  
MAY EACH BE FABRICATED AS WOOD  
OR COMPOSITE EDGE DOORS.



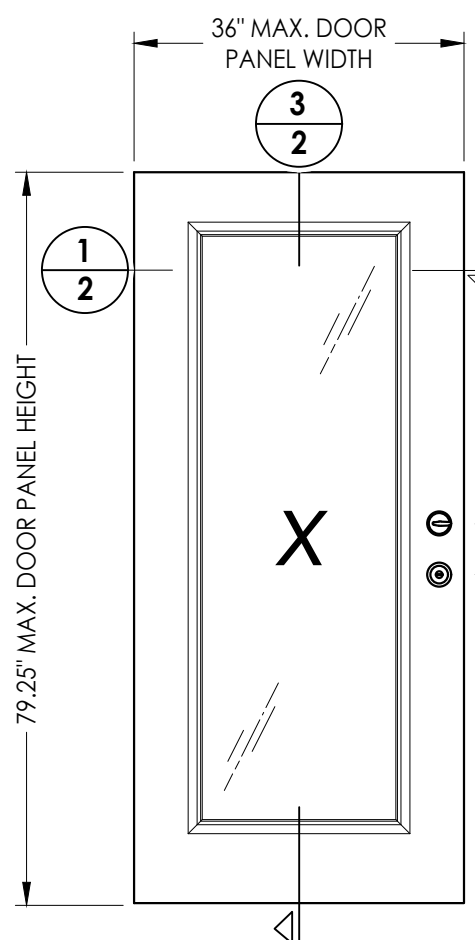
**2 HORIZONTAL CROSS SECTION**  
**2 COMPOSITE EDGE DOOR PANEL**



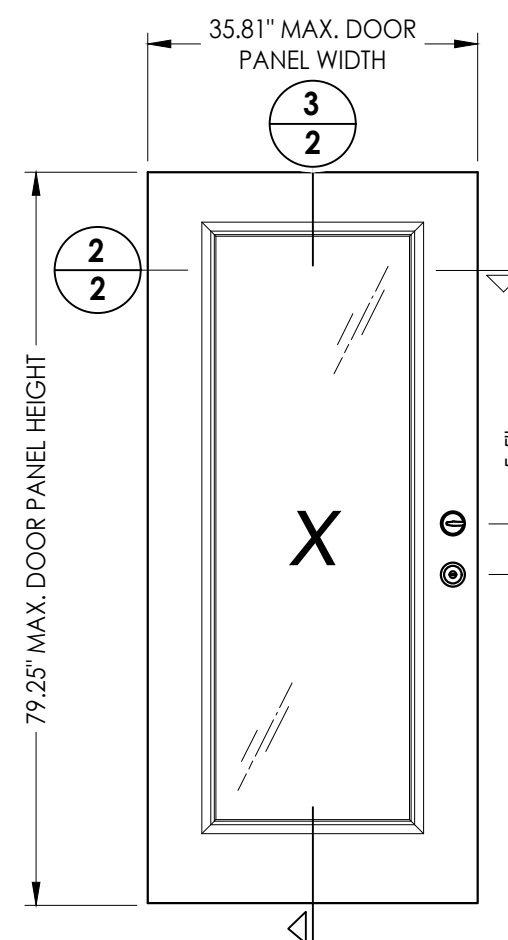
**3 VERTICAL CROSS SECTION**  
**2 WOOD EDGE DOOR PANEL**



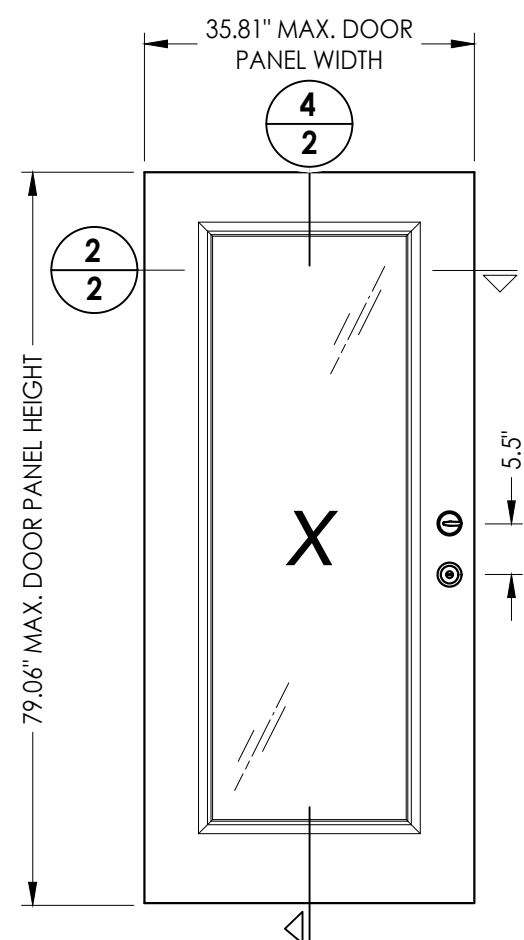
**4 VERTICAL CROSS SECTION**  
**2 COMPOSITE EDGE DOOR PANEL**



**40 FIBERGLASS DOOR PANEL**  
BOOK DOOR



**41 FIBERGLASS DOOR PANEL**  
HYBRID DOOR



**42 FIBERGLASS DOOR PANEL**  
U1 DOOR

FIBERGLASS SKIN: 0.073" MIN. THK.  
FOAM CORE: POLYURETHANE -1.9 PCF MIN.

Documents Prepared By:  
Lyndon F. Schmidt  
P.E. No. 43409

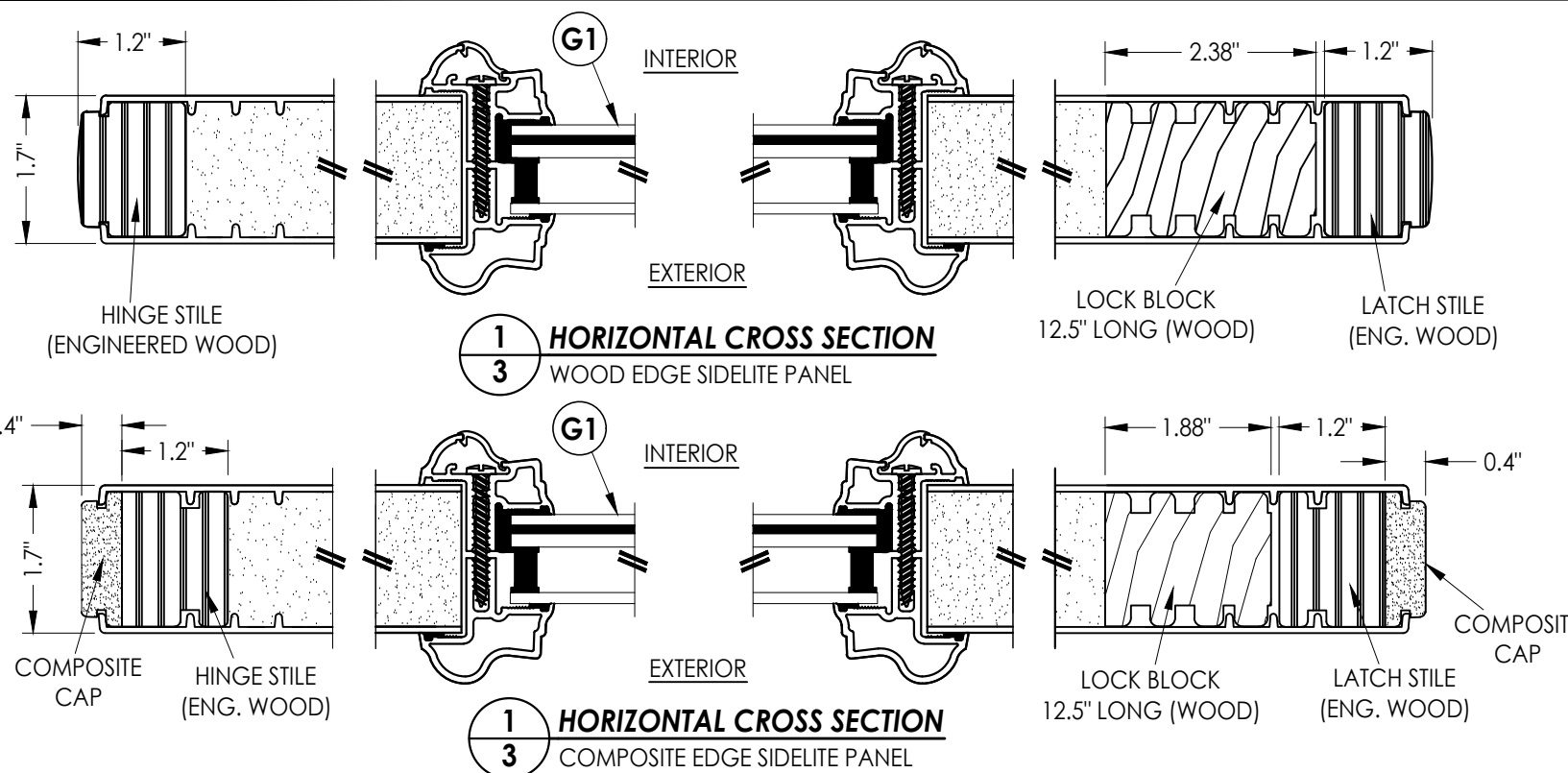
PRODUCT:  
THERMA-TRU  
FIBERGLASS DOOR

PART OR ASSEMBLY:  
DOOR PANEL DETAILS

NO.	DATE	BY
1	7/27/23	LFS

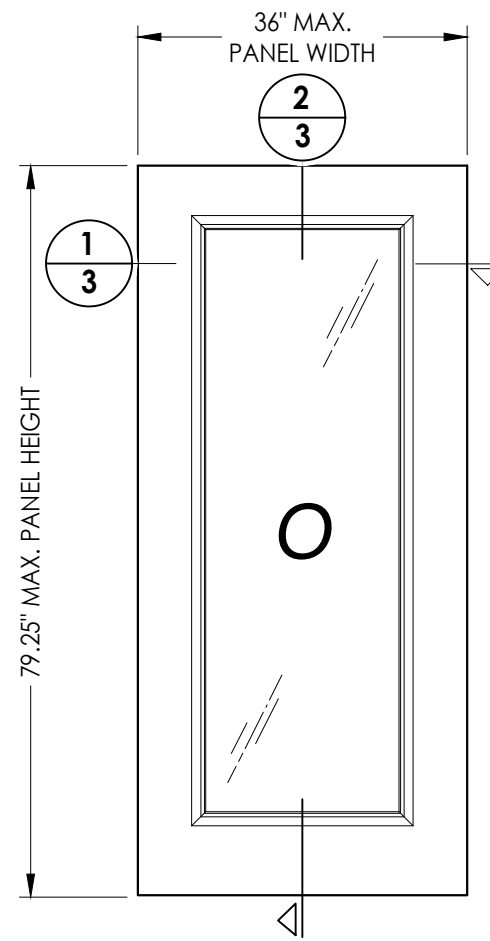
DATE: 5/18/21  
SCALE: N.T.S.  
DWG. BY: RW  
CHK. BY: LFS  
DRAWING NO.: FL-37182.6  
SHEET 2 OF 12

RW BUILDING CONSULTANTS, INC.  
P.O. Box 230, Valrico, FL 33595  
Phone No.: 813.659.9197  
FBPE Registry No. 9813



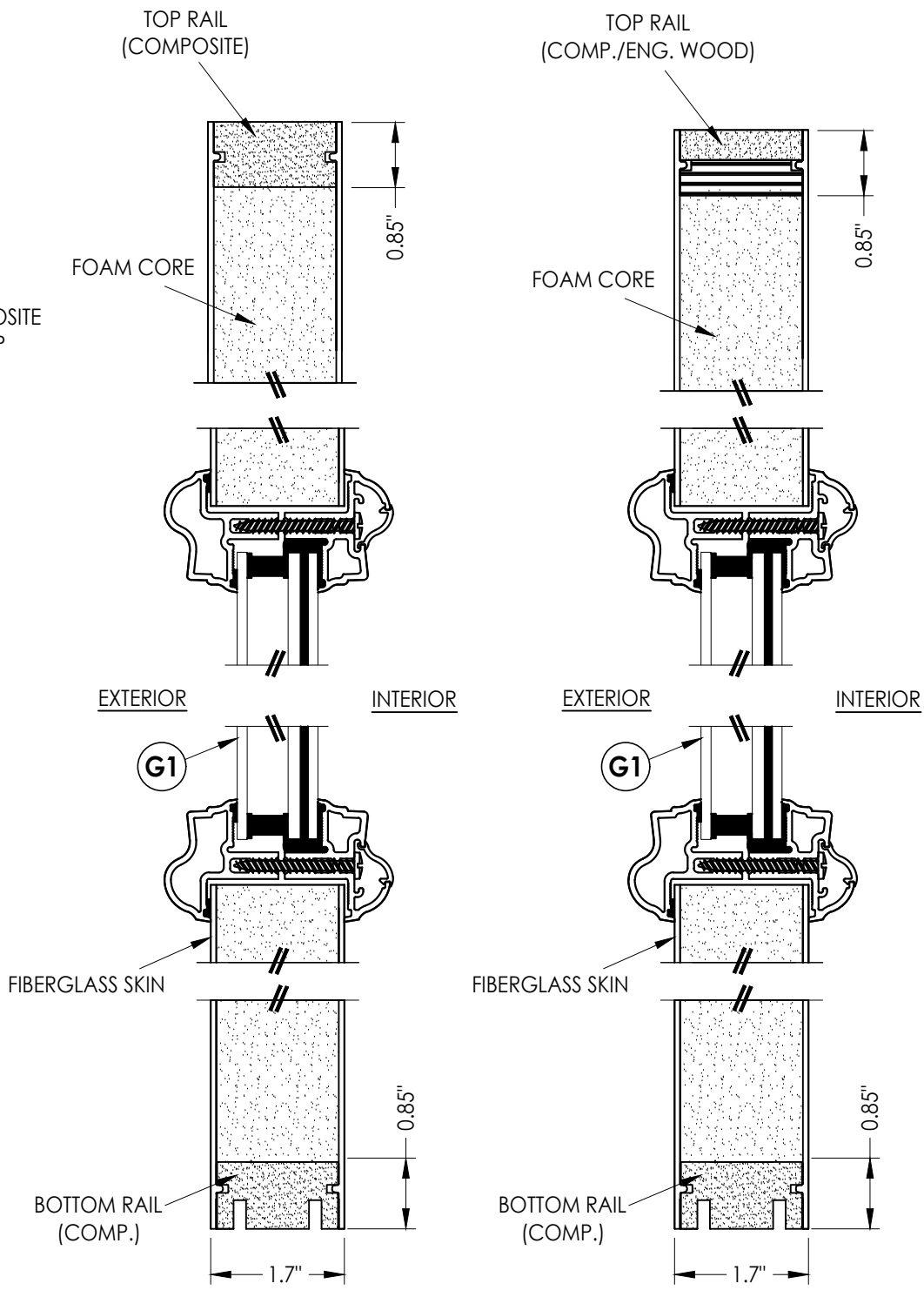
**1** HORIZONTAL CROSS SECTION  
**3** WOOD EDGE SIDELITE PANEL

**1** HORIZONTAL CROSS SECTION  
**3** COMPOSITE EDGE SIDELITE PANEL



**50** FIBERGLASS SIDELITE PANEL  
WOOD OR COMPOSITE EDGE

FIBERGLASS SKIN: 0.073" MIN. THK.  
FOAM CORE: POLYURETHANE -1.9 PCF MIN.



**1** VERTICAL CROSS SECTION  
**3** WOOD EDGE SIDELITE PANEL

**2** VERTICAL CROSS SECTION  
**3** COMPOSITE EDGE SIDELITE PANEL

Documents Prepared By:  
Lyndon F. Schmidt  
P.E. No. 43409

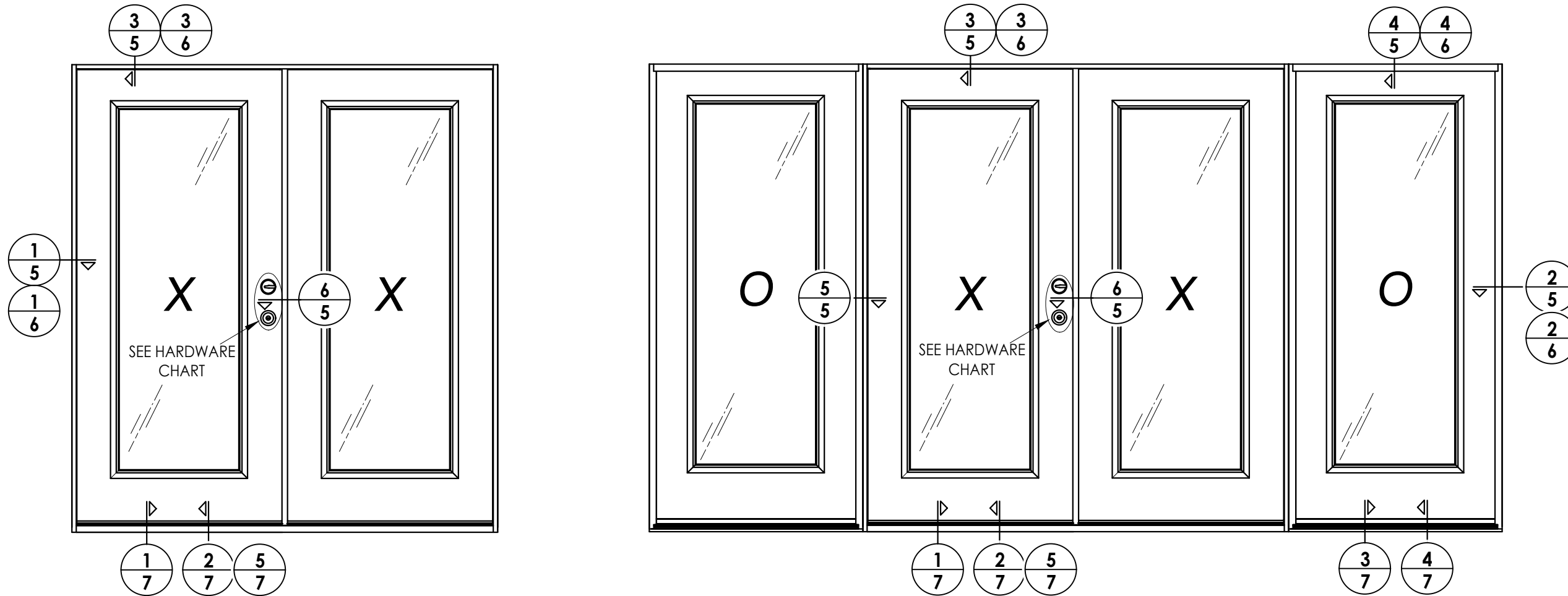
**RW** BUILDING CONSULTANTS, INC.  
P.O. Box 230, Valrico, FL 33595  
Phone No.: 813.659.9197  
FBPE Registry No. 9813

PRODUCT:  
THERMA-TRU  
FIBERGLASS DOOR

PART OR ASSEMBLY:  
SIDELITE PANEL DETAILS

NO.	DATE	REVISIONS
1	7/27/23	UPDATE TO 8TH ED. (2023) FBC
		LFS
		BY

DATE:	5/18/21
SCALE:	N.T.S.
DWG. BY:	RW
CHK. BY:	LFS
DRAWING NO.:	FL-37182.6
SHEET	3 of 12



**Fiber-Classic/Smooth-Star Door Panel Options**

Products approved include all embossed and recessed panel doors.  
 Similar glazed panel configurations are allowed.  
 Panels shown are for illustration and are representative only.

HARDWARE TABLE	
MANUFACTURER	MODEL
SCHLAGE	KNOB: F51 DEADBOLT: B60
KWIKSET	KNOB: SIGNATURE SERIES DEADBOLT: SIGNATURE SERIES (980)

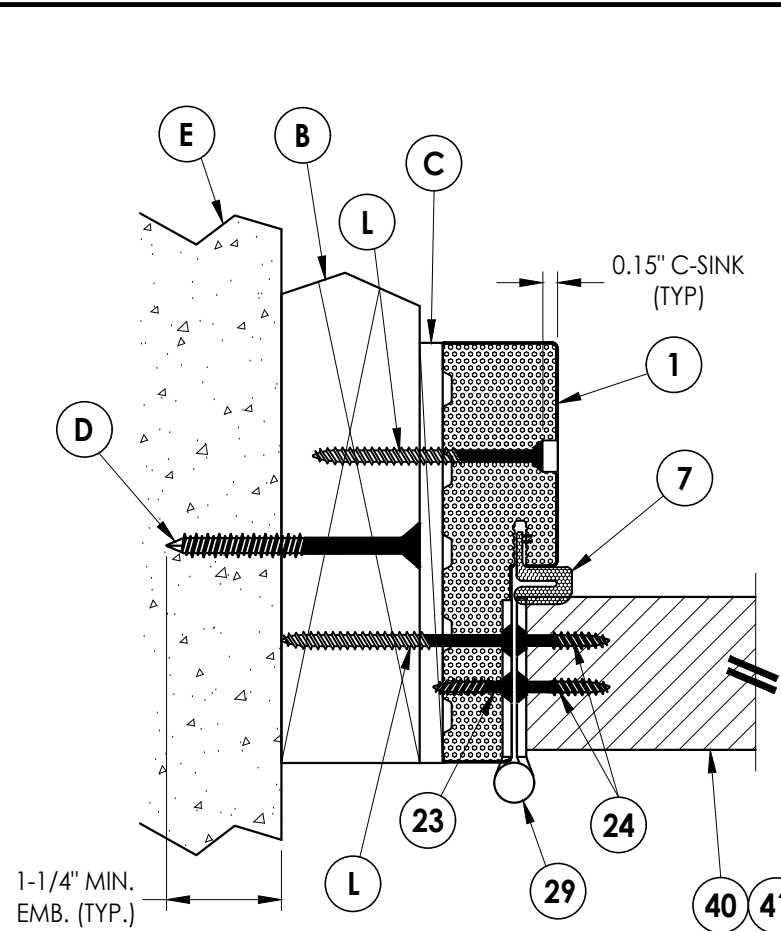
NO.	DATE	REVISIONS
1	7/27/23	UPDATE TO 8TH ED. (2023) FBC LFS BY

DATE: 5/18/21  
 SCALE: N.T.S.  
 DWG. BY: RW  
 CHK. BY: LFS  
 DRAWING NO.: FL-37182.6  
 SHEET 4 OF 12

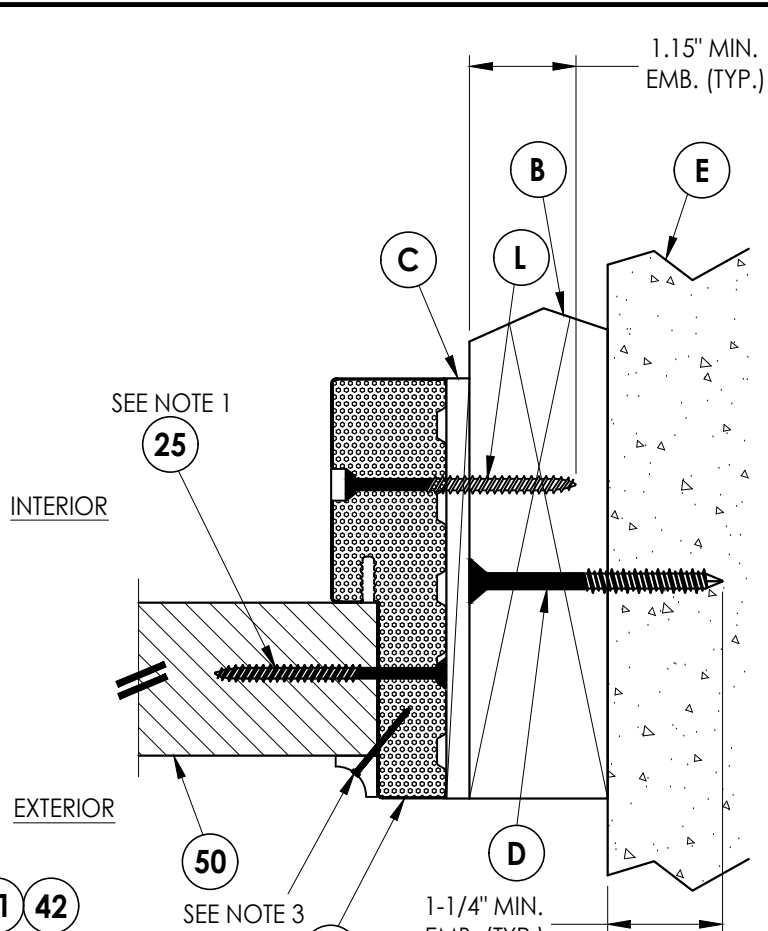
PRODUCT: THERMA-TRU FIBERGLASS DOOR  
 PART OR ASSEMBLY: ELEVATIONS

Documents Prepared By:  
 Lyndon F. Schmidt  
 P.E. No. 43409

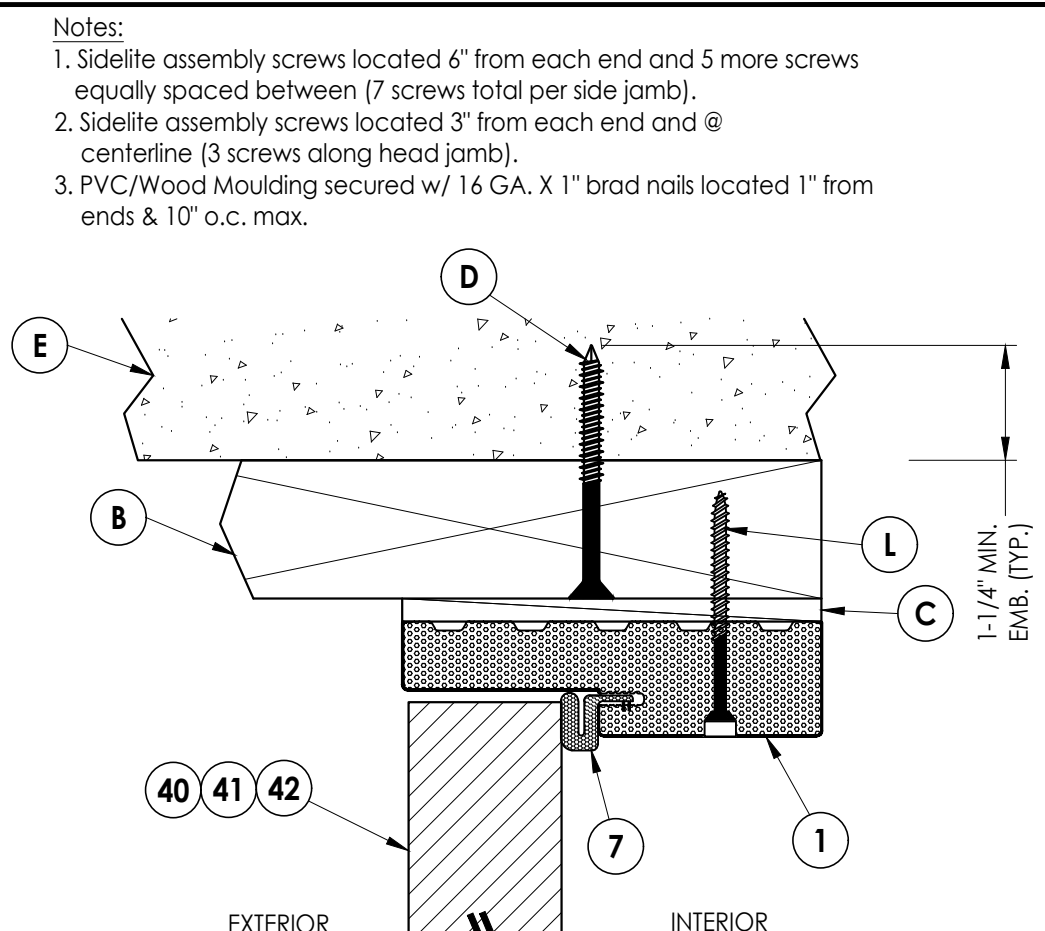
**RW** BUILDING CONSULTANTS, INC.  
 P.O. Box 230, Valrico, FL 33595  
 Phone No.: 813.659.9197  
 FBPE Registry No. 9813



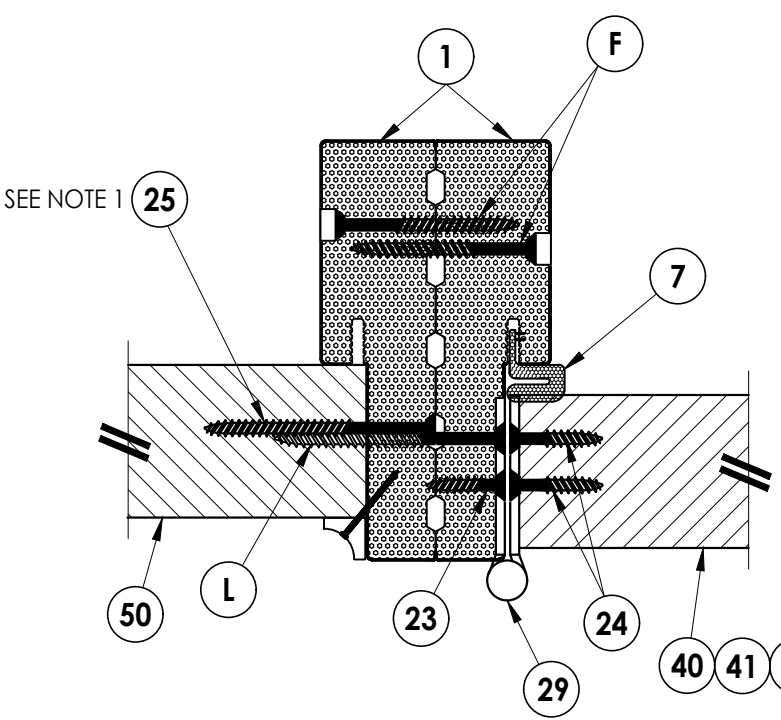
**1 HORIZONTAL CROSS SECTION**  
**5** Shown w/ 2X Buck  
 Outswing shown (Inswing similar)



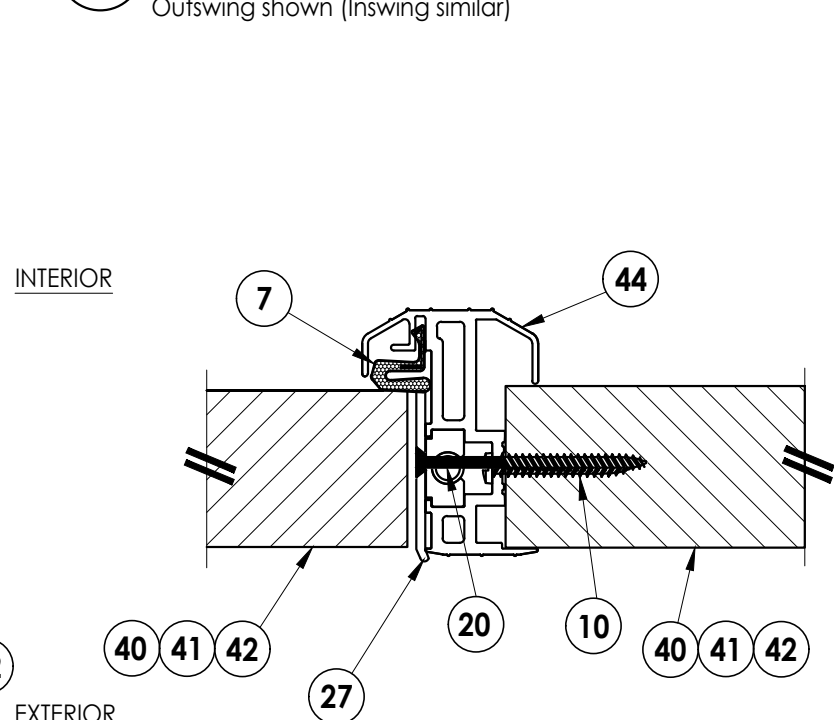
**2 HORIZONTAL CROSS SECTION**  
**5** Shown w/ 2X Buck  
 Outswing shown (Inswing similar)



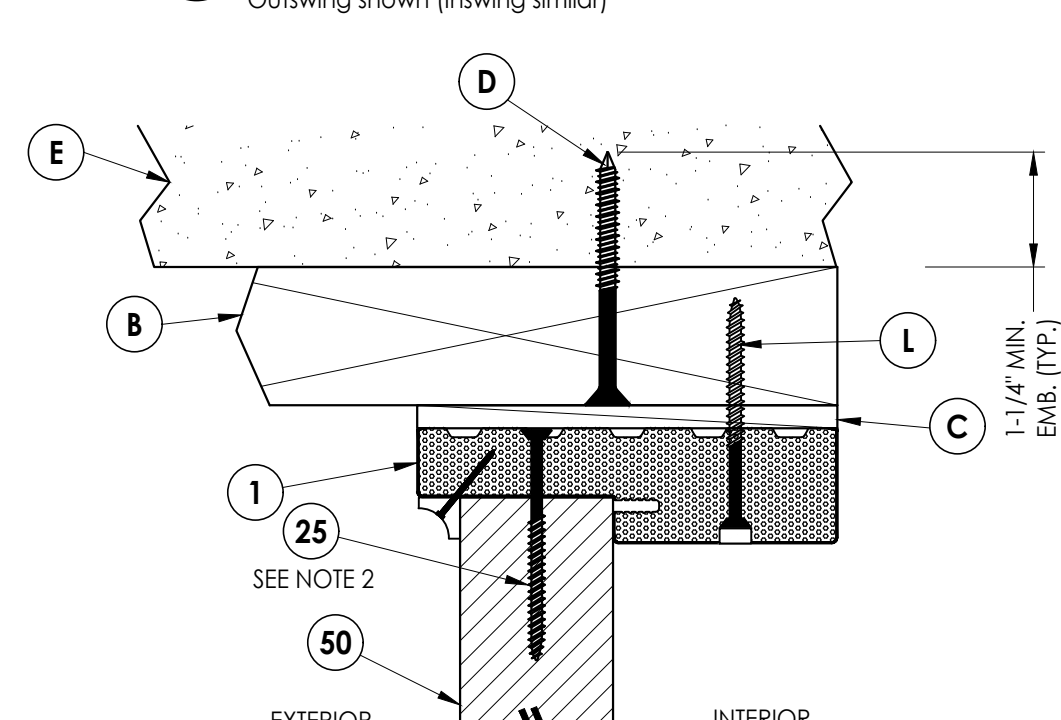
**3 VERTICAL CROSS SECTION**  
**5** Shown w/ 2X Buck  
 Outswing shown (Inswing similar)



**5 HORIZONTAL CROSS SECTION**  
**5** Outswing shown (Inswing similar)



**6 HORIZONTAL CROSS SECTION**  
**5** Outswing shown (Inswing similar)



**4 VERTICAL CROSS SECTION**  
**5** Shown w/ 2X Buck  
 Outswing shown (Inswing similar)

- Notes:
- Sidelite assembly screws located 6" from each end and 5 more screws equally spaced between (7 screws total per side jamb).
  - Sidelite assembly screws located 3" from each end and @ centerline (3 screws along head jamb).
  - PVC/Wood Moulding secured w/ 16 GA. X 1" brad nails located 1" from ends & 10" o.c. max.

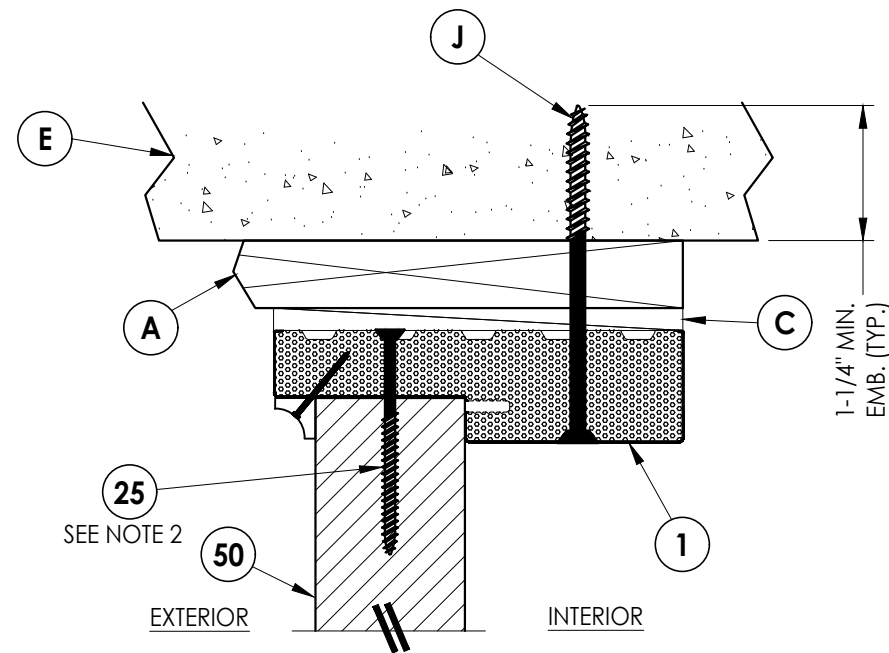
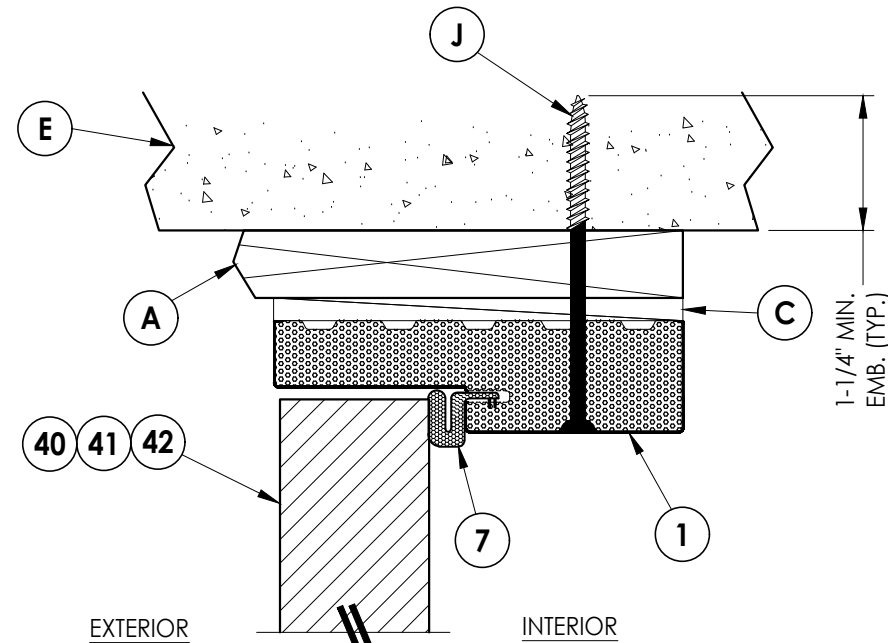
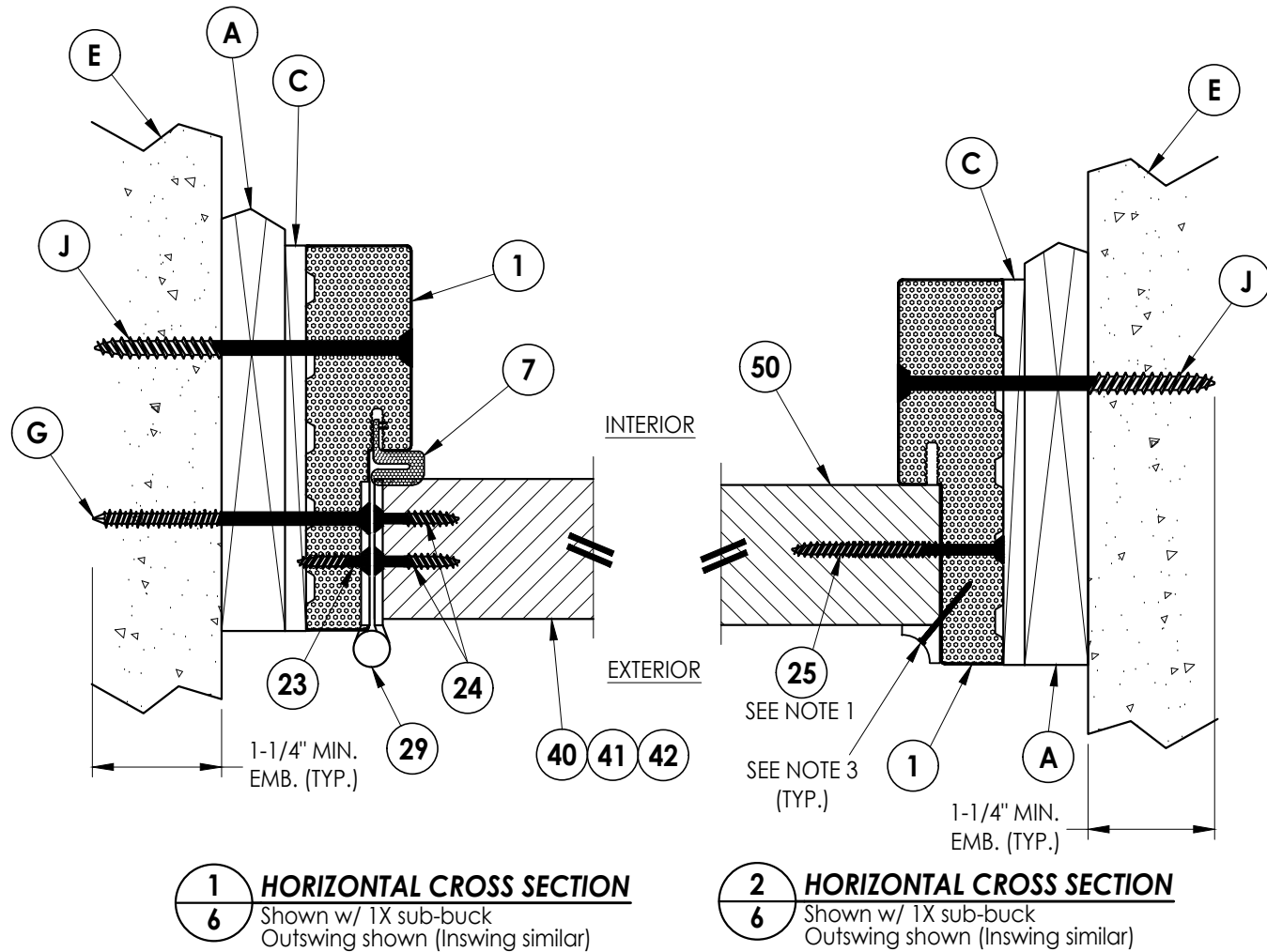
Documents Prepared By: Lyndon F. Schmidt P.E. No. 43409		BUILDING CONSULTANTS, INC. P.O. Box 230, Valrico, FL 33595 Phone No.: 813.659.9197 FBPE Registry No. 9813	
PRODUCT:	THERMA-TRU FIBERGLASS DOOR	PART OR ASSEMBLY:	HORIZONTAL & VERTICAL CROSS SECTIONS (2X BUCK)
DATE:	5/18/21	NO. DATE	REVISIONS
SCALE:	N.T.S.	1 7/27/23	UPDATE TO 8TH ED. (2023) FBC LFS
DWG. BY:	RW		
CHK. BY:	LFS		
DRAWING NO.:	FL-37182.6		
SHEET	5	OF	12

Z:\2023 FBC Drawings\Therma-Tru\FL-37182 R1\FL-37182.4-6.dwg

© 2021 R.W. BUILDING CONSULTANTS INC.

Notes:

1. Sidelite assembly screws located 6" from each end and 5 more screws equally spaced between (7 screws total per side jamb).
2. Sidelite assembly screws located 3" from each end and @ centerline (3 screws along head jamb).
3. PVC/Wood Moulding secured w/ 16 GA. X 1" brad nails located 1" from ends & 10" o.c. max.



Documents Prepared By:  
Lyndon F. Schmidt  
P.E. No. 43409

**RW** BUILDING CONSULTANTS, INC.  
P.O. Box 230, Valrico, FL 33595  
Phone No.: 813.659.9197  
FBPE Registry No. 9813

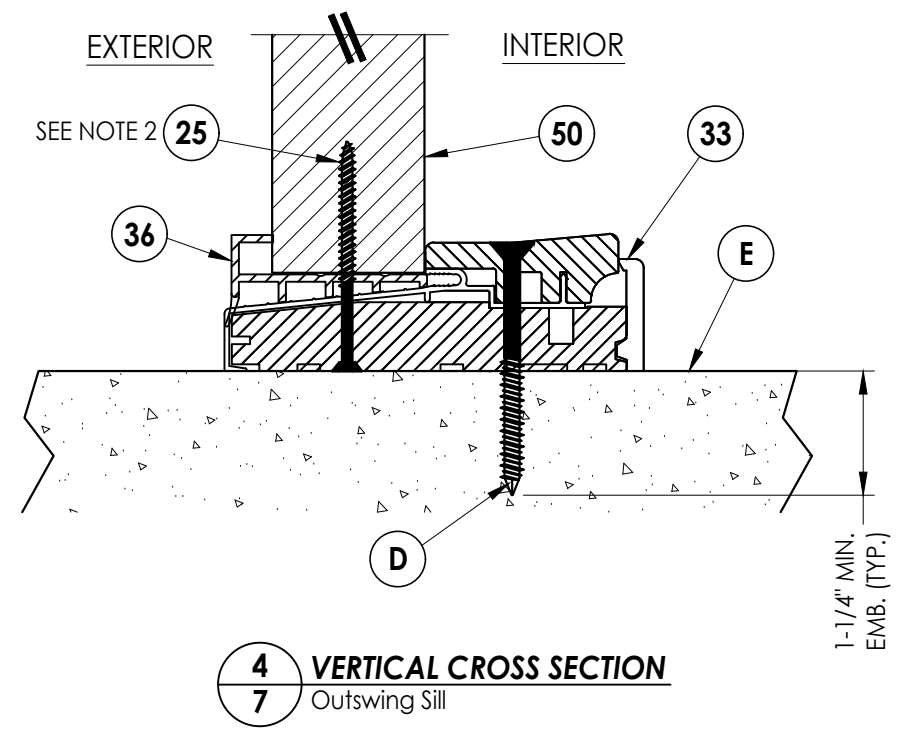
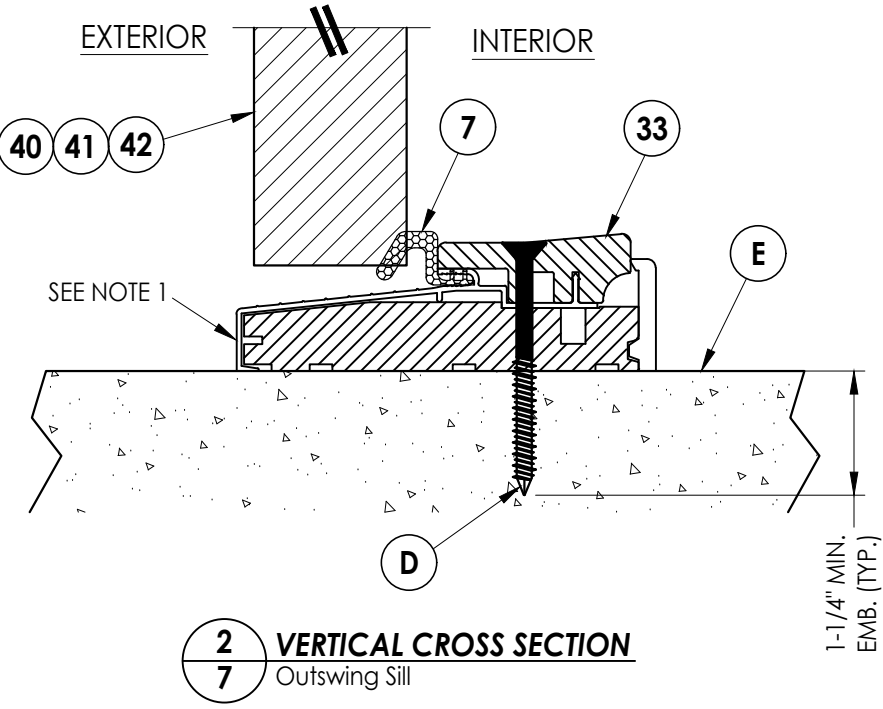
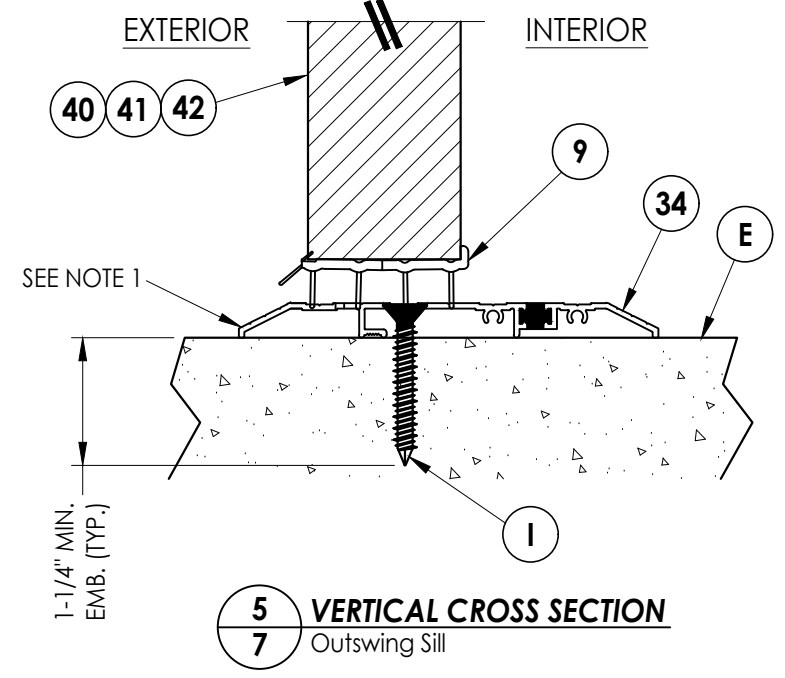
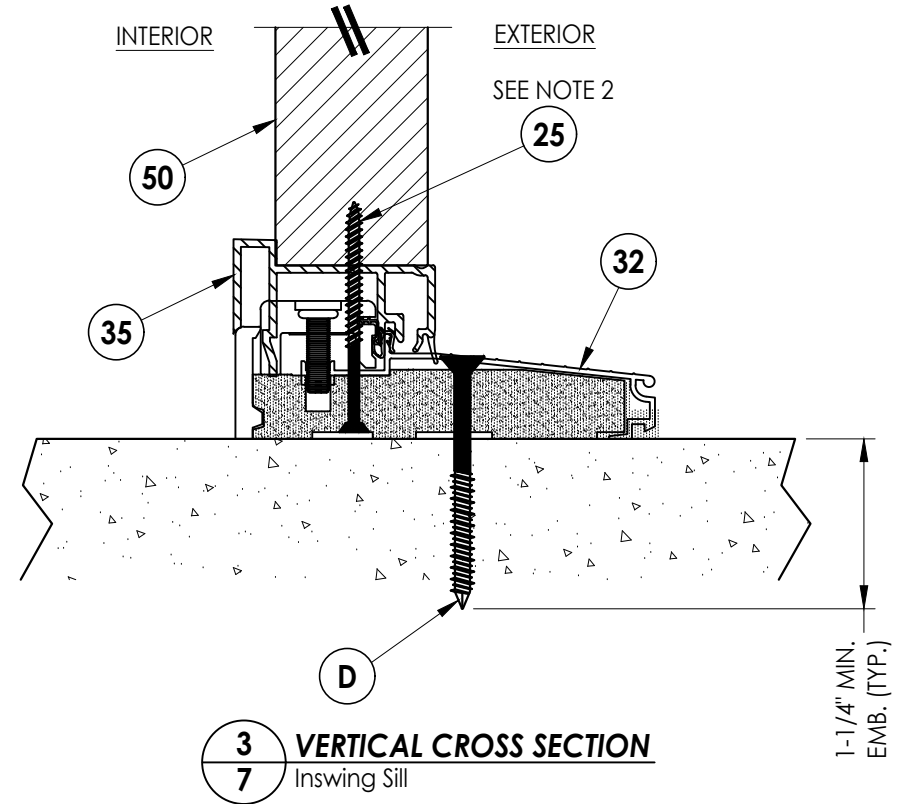
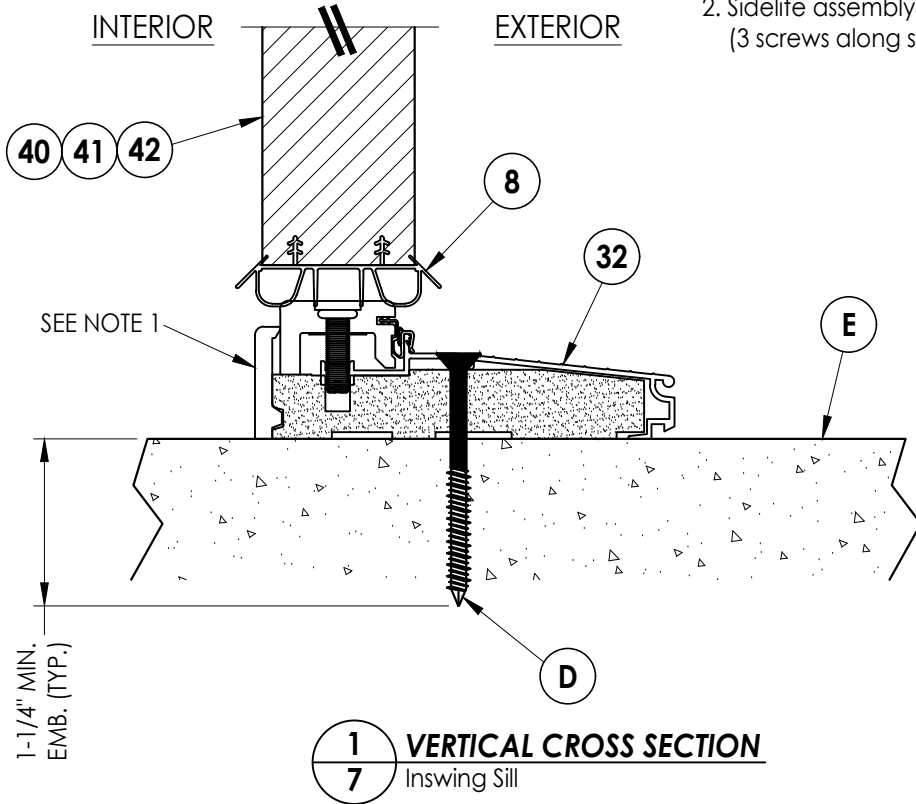
PRODUCT:  
THERMA-TRU  
FIBERGLASS DOOR

PART OR ASSEMBLY:  
HORIZONTAL & VERTICAL  
CROSS SECTIONS (1X BUCK)

NO.	DATE	REVISIONS	LFS	BY
1	7/27/23	UPDATE TO 8TH ED. (2023) FBC		

DATE: 5/18/21  
SCALE: N.T.S.  
DWG. BY: RW  
CHK. BY: LFS  
DRAWING NO.: FL-37182.6  
SHEET 6 OF 12

- Notes:  
 1. Sill Item #32 is attached to jambs w/ (3) #8 X 2-1/2" pfh screws at each end.  
 Sill Item #33 is attached to jambs w/ (2) #8 X 2-1/2" pfh screws at each end.  
 Sill Item #34 is attached to jambs utilizing (2) #10 X 2" pph SMS at each end.  
 2. Sidelite assembly screws located 3" from each end and @ centerline  
 (3 screws along sill).



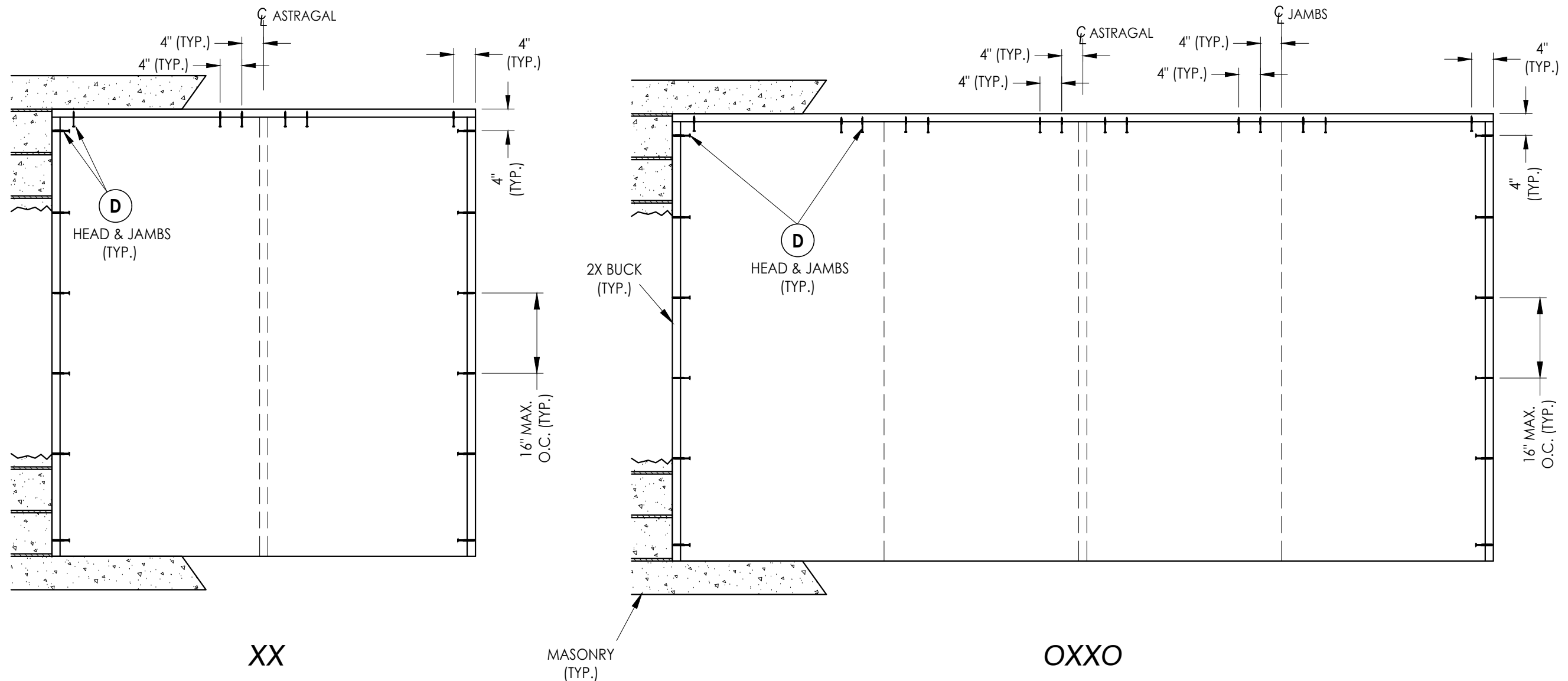
Documents Prepared By:  
 Lyndon F. Schmidt  
 P.E. No. 43409

**RW** BUILDING CONSULTANTS, INC.  
 P.O. Box 230, Valrico, FL 33595  
 Phone No.: 813.659.9197  
 FBPE Registry No. 9813

PRODUCT:	THERMA-TRU FIBERGLASS DOOR
PART OR ASSEMBLY:	VERTICAL CROSS SECTIONS (THRESHOLDS)

NO.	DATE	BY	REVISIONS
1	7/27/23	LFS	UPDATE TO 8TH ED. (2023) FBC

DATE:	5/18/21
SCALE:	N.T.S.
DWG. BY:	RW
CHK. BY:	LFS
DRAWING NO.:	FL-37182.6
SHEET	7 OF 12



**2X BUCK ANCHORING**

Documents Prepared By:  
 Lyndon F. Schmidt  
 P.E. No. 43409

**RW** BUILDING CONSULTANTS, INC.  
 P.O. Box 230, Vairico, FL 33595  
 Phone No.: 813.659.9197  
 FBPE Registry No. 9813

PRODUCT:  
 THERMA-TRU  
 FIBERGLASS DOOR

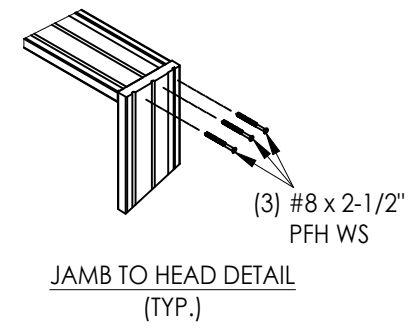
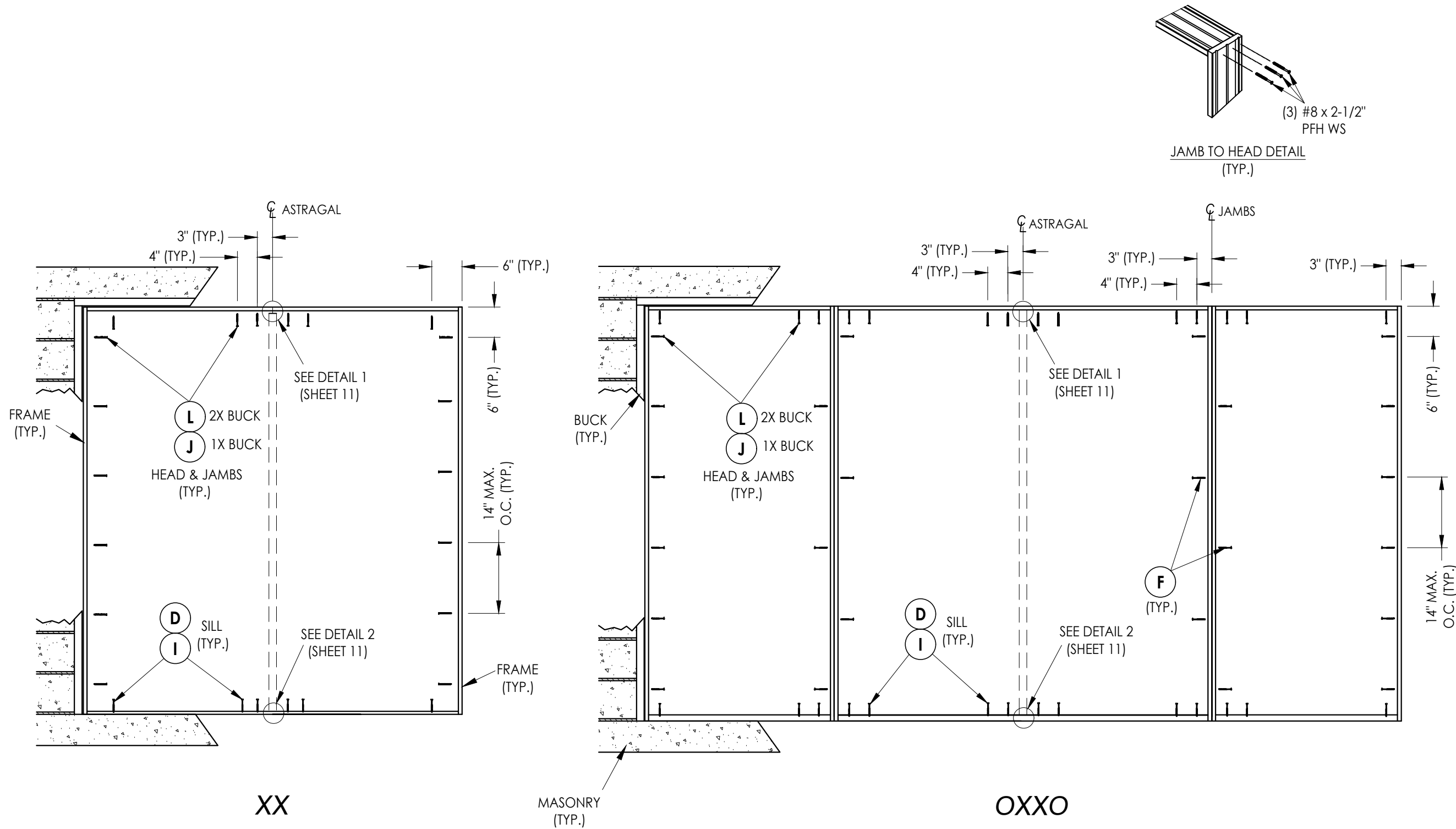
PART OR ASSEMBLY:  
 BUCK ANCHORING

NO	DATE	DESCRIPTION	BY
1	7/27/23	UPDATE TO 8TH ED. (2023) FBC	LFS

DATE: 5/18/21  
 SCALE: N.T.S.  
 DWG. BY: RW  
 CHK. BY: LFS  
 DRAWING NO.: FL-37182.6  
 SHEET 8 OF 12



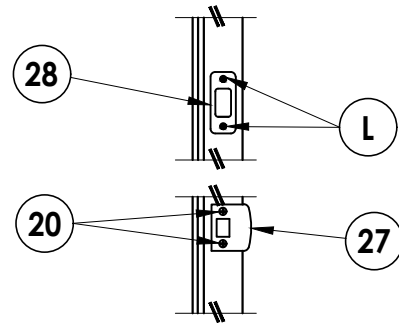
Z:\2023 FBC Drawings\Therma-Tru\FL-37182 R1\FL-37182.4-6.dwg



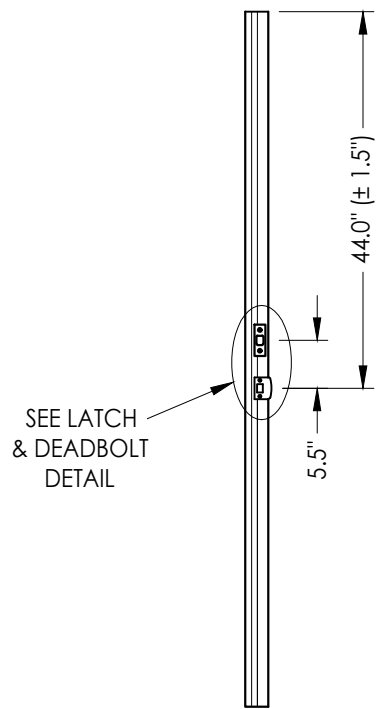
**FRAME ANCHORING**

Documents Prepared By: Lyndon F. Schmidt P.E. No. 43409		BUILDING CONSULTANTS, INC. P.O. Box 230, Vairico, FL 33595 Phone No.: 813.659.9197 FBPE Registry No. 9813	
PRODUCT: THERMA-TRU FIBERGLASS DOOR		PART OR ASSEMBLY: FRAME ANCHORING	
NO.	DATE	BY	
1	7/27/23	LFS	
		FBC	
		BY	
REVISIONS			
DATE: 5/18/21			
SCALE: N.T.S.			
DWG. BY: RW			
CHK. BY: LFS			
DRAWING NO.: FL-37182.6			
SHEET 9 OF 12			

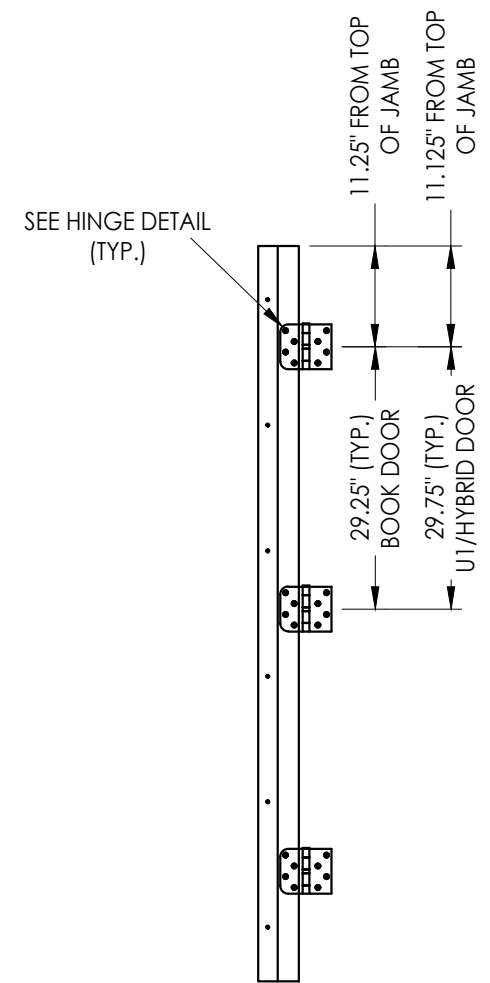
© 2021 R.W. BUILDING CONSULTANTS INC.



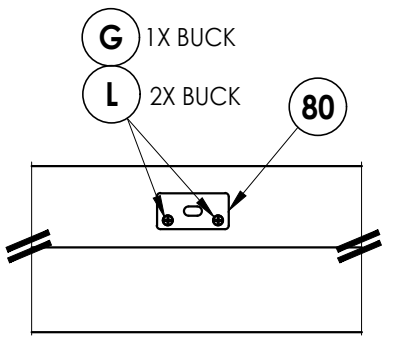
**LATCH & DEADBOLT DETAIL**  
Schlage / Kwikset



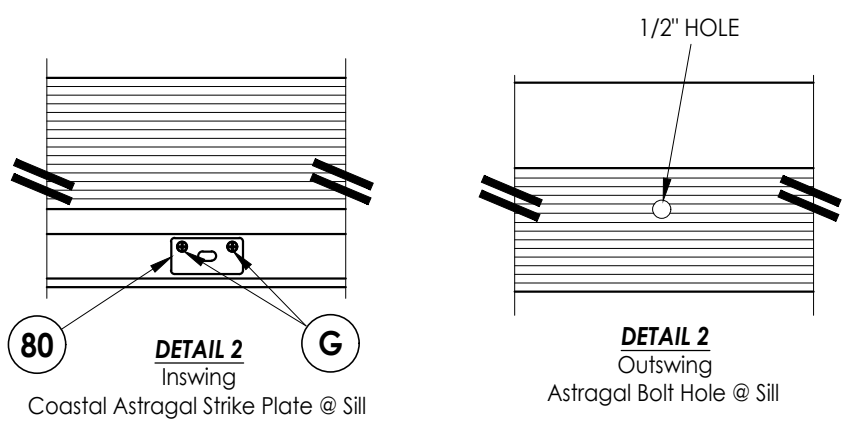
**ASTRAGAL**  
Latch and Deadbolt



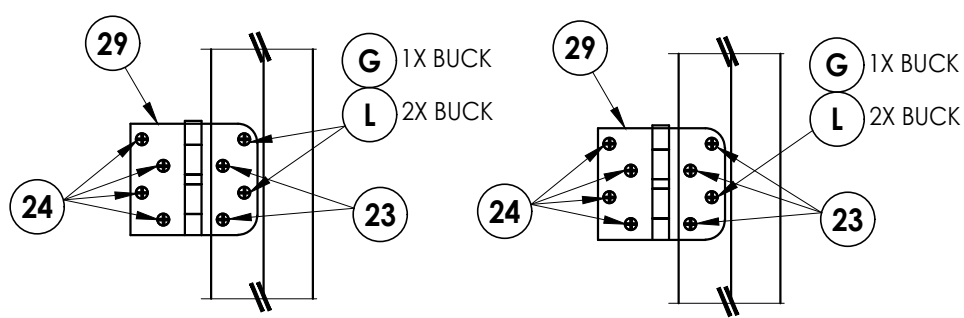
**HINGE JAMB**



**DETAIL 1**  
Coastal Astragal Strike Plate @ Head



**LATCH & DEADBOLT STRIKE DETAILS**



**HINGE DETAIL**  
Inswing

**HINGE DETAIL**  
Outswing

Documents Prepared By:  
Lyndon F. Schmidt  
P.E. No. 43409

**RW** BUILDING CONSULTANTS, INC.  
P.O. Box 230, Vairico, FL 33595  
Phone No.: 813.659.9197  
FBPE Registry No. 9813

PRODUCT:  
THERMA-TRU  
FIBERGLASS DOOR

PART OR ASSEMBLY:  
HARDWARE DETAILS

NO.	DATE	REVISIONS
1	7/27/23	UPDATE TO 8TH ED. (2023) FBC
		LFS
		BY

DATE: 5/18/21

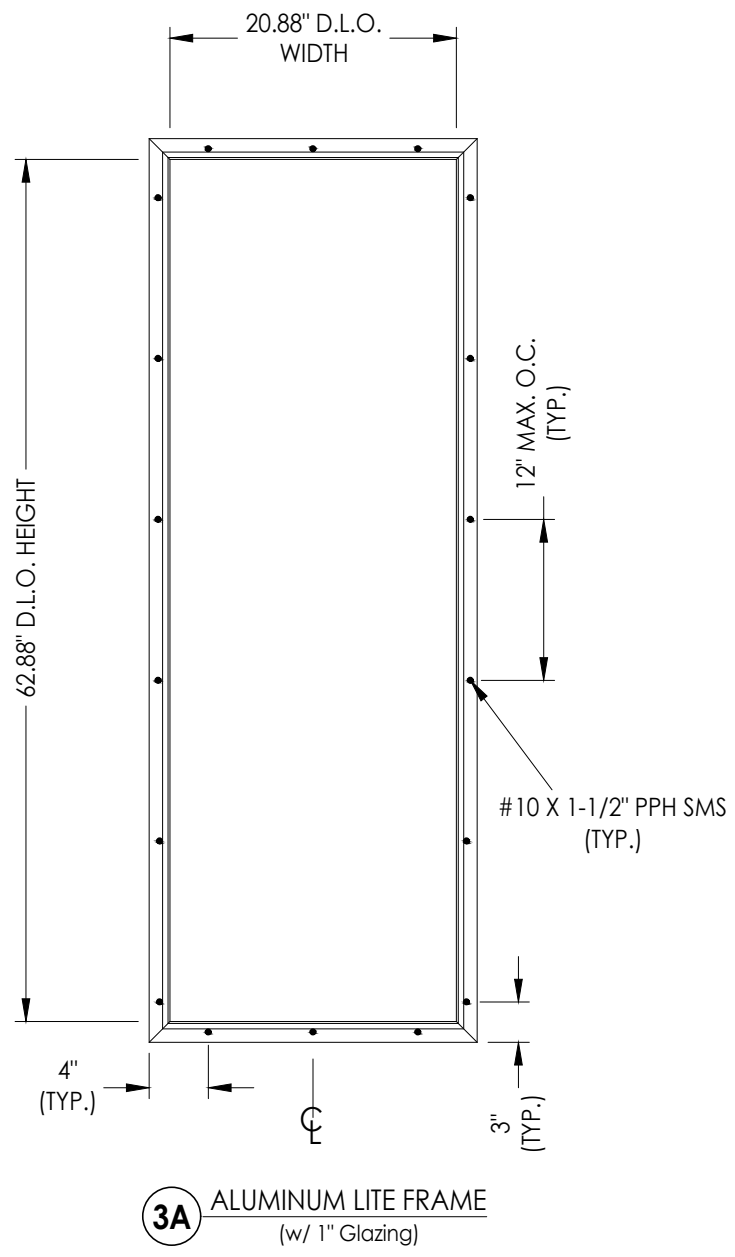
SCALE: N.T.S.

DWG. BY: RW

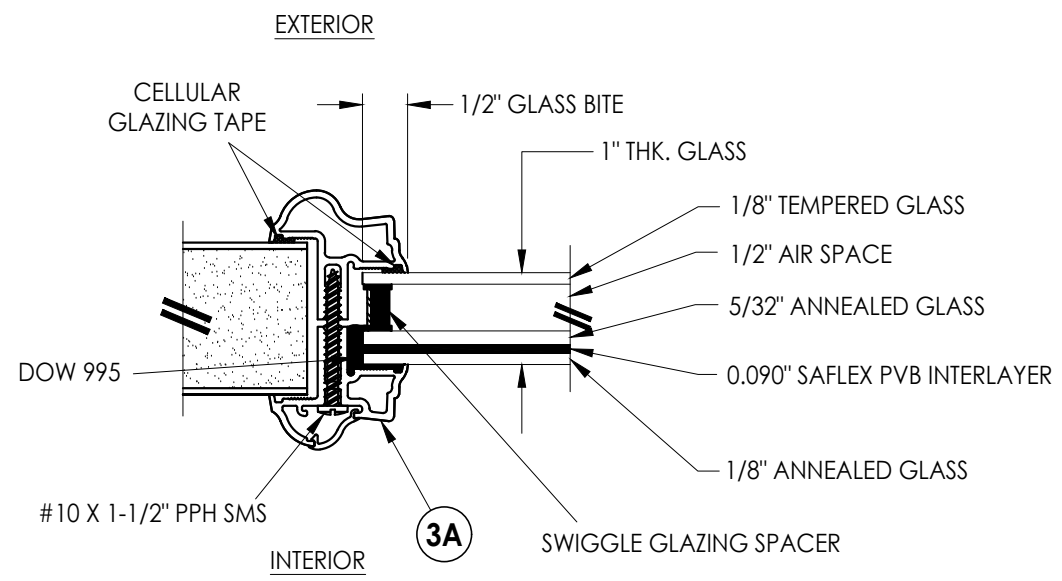
CHK. BY: LFS

DRAWING NO.:  
FL-37182.6

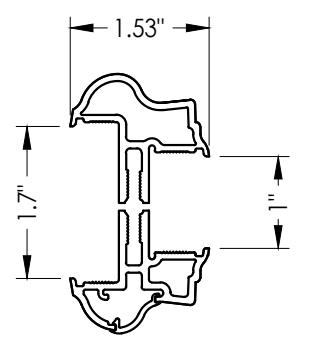
SHEET 10 OF 12



**3A ALUMINUM LITE FRAME**  
(w/ 1" Glazing)



**G1 GLAZING DETAIL**  
Aluminum Impact Lite Frame



**3A ALUMINUM FRAME**  
Aluminum Impact Lite Frame

Documents Prepared By:  
Lyndon F. Schmidt  
P.E. No. 43409

**RW BUILDING CONSULTANTS, INC.**  
P.O. Box 230, Valrico, FL 33595  
Phone No.: 813.659.9197  
FBPE Registry No. 9813

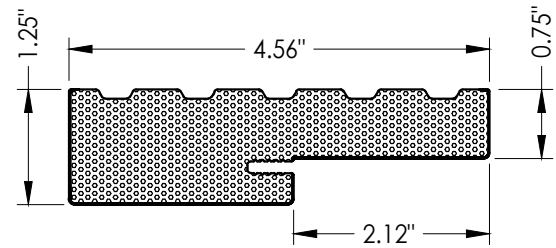
PRODUCT: THERMA-TRU  
FIBERGLASS DOOR

PART OR ASSEMBLY:  
LITE FRAME  
& GLAZING DETAILS

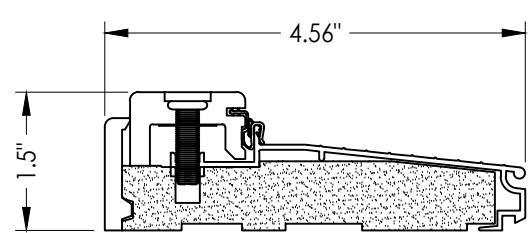
NO.	DATE	DESCRIPTION	BY
1	7/27/23	UPDATE TO 8TH ED. (2023)	FBC

DATE: 5/18/21  
SCALE: N.T.S.  
DWG. BY: RW  
CHK. BY: LFS  
DRAWING NO.: FL-37182.6  
SHEET 11 OF 12

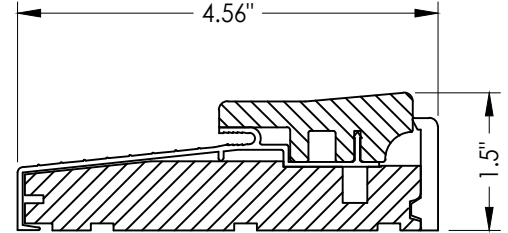
BILL OF MATERIALS		
ITEM #	DESCRIPTION	MATERIAL
A	1X BUCK (G >= 0.42)	WOOD
B	2X BUCK (G >= 0.42)	WOOD
C	1/4" MAX. SHIM SPACE	-
D	1/4" X 2-3/4" PFH DeWALT OR ITW CONCRETE SCREW	STEEL
E	MASONRY - 3,000 PSI MIN. CONCRETE CONFORMING TO ACI 301 OR HOLLOW BLOCK CONFORMING TO ASTM C90	CONCRETE
F	#10 X 2" PFH WOOD SCREW	STEEL
G	3/16" X 3-1/4" PFH ITW CONCRETE SCREW	STEEL
I	1/4" X 2-1/4" PFH DeWALT OR ITW CONCRETE SCREW	STEEL
J	1/4" X 3-3/4" PFH DeWALT OR ITW CONCRETE SCREW	STEEL
L	#10 X 2-1/2" PFH WOOD SCREW (1.15" MIN. EMBEDMENT)	STEEL
1	COMPOSITE JAMB	COMP
7	WEATHERSTRIP	FOAM
8	DOOR SWEEP	VINYL
9	SWEEP (USE w/ PUBLIC ACCESS THRESHOLD)	VINYL
10	#10 X 1-1/2" PPH SMS	STEEL
20	#8 X 2-1/2" PFH WOOD SCREW	STEEL
21	#12 X 1-1/2" PFH WOOD SCREW	STEEL
22	#8 X 3/4" PFH WOOD SCREW	STEEL
23	#9 X 3/4" PFH WOOD SCREW	STEEL
24	#9 X 1" PFH WOOD SCREW	STEEL
25	#9 X 2-1/2" PFH WOOD SCREW	STEEL
26	#8 X 5/8" PFH WOOD SCREW	STEEL
27	LATCH STRIKE PLATE	STEEL
28	DEADBOLT STRIKE PLATE	STEEL
28A	DEADBOLT SUB-STRIKE PLATE	STEEL
29	4" X 4" HINGE	STEEL
32	INSWING THRESHOLD	ALUM/COMP
33	OUTSWING THRESHOLD	ALUM/COMP
34	PUBLIC ACCESS THRESHOLD	ALUM
35	SIDELITE SPACER (INSWING)	VINYL
36	SIDELITE SPACER (OUTSWING)	VINYL
40	DOOR PANEL (BOOK)	-
41	DOOR PANEL (HYBRID)	-
42	DOOR PANEL (U1)	-
44	COASTAL ASTRAGAL (THERMA-TRU)	ALUM
50	SIDELITE PANEL	-
78	MULTIPOINT LOCK STRIKE PLATE @ HEAD	STEEL
79	MULTIPOINT LOCK STRIKE PLATE @ SILL	STEEL
80	COASTAL ASTRAGAL STRIKE PLATE	STEEL



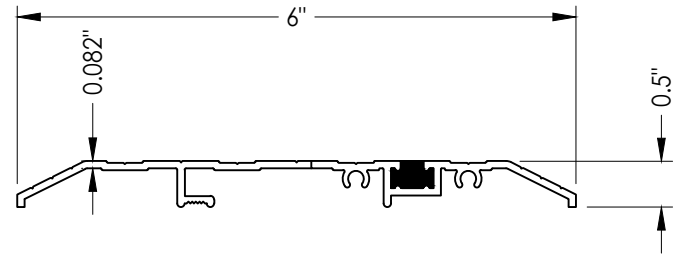
1 COMPOSITE JAMB



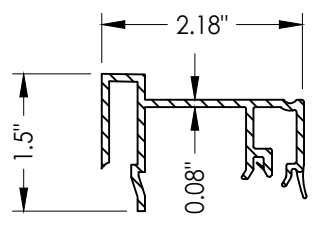
32 INSWING THRESHOLD  
Adjustable Composite Sill



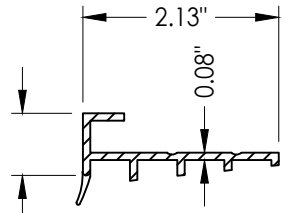
33 OUTSWING THRESHOLD  
Composite Sill



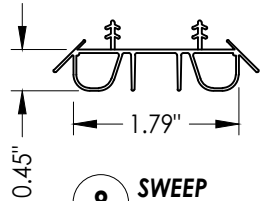
34 PUBLIC ACCESS THRESHOLD



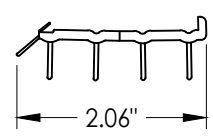
35 SIDELITE SPACER  
Inswing



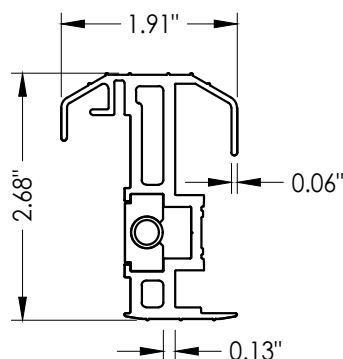
36 SIDELITE SPACER  
Outswing



8 SWEEP



9 SWEEP



44 COASTAL ASTRAGAL

**CONCRETE ANCHOR NOTES:**

- Concrete anchor locations at the corners may be adjusted to maintain the min. edge distance to mortar joints.
- Concrete anchor locations noted as "MAX. ON CENTER" must be adjusted to maintain the min. edge distance to mortar joints, additional concrete anchors may be required to ensure the "MAX. ON CENTER" dimension are not exceeded.
- Concrete anchor table:

ANCHOR TYPE	ANCHOR SIZE	MIN. EMBEDMENT	MIN. CLEARANCE TO MASONRY EDGE	MIN. CLEARANCE TO ADJACENT ANCHOR
ITW TAPCON®	1/4"	1-1/4"	2"	4"
DeWALT ULTRACON®	1/4"	1-1/4"	1"	4"
ITW TAPCON®	3/16"	1-1/4"	AS SHOWN	1-1/2"

**WOOD SCREW INSTALLATION NOTES:**

- Maintain a minimum 5/8" edge distance, 1" end distance, & 1" o.c. spacing of wood screws to prevent the splitting of wood.

Documents Prepared By:  
Lyndon F. Schmidt  
P.E. No. 43409

R.W. BUILDING CONSULTANTS, INC.  
P.O. Box 230, Vairico, FL 33595  
Phone No.: 813.659.9197  
FBPE Registry No. 9813

PRODUCT:  
THERMA-TRU  
FIBERGLASS DOOR

PART OR ASSEMBLY:  
BILL OF MATERIALS  
& COMPONENTS

NO.	DATE	REVISIONS
1	7/27/23	UPDATE TO 8TH ED. (2023) FBC
		LFS
		BY

DATE: 5/18/21  
SCALE: N.T.S.  
DWG. BY: RW  
CHK. BY: LFS  
DRAWING NO.: FL-37182.6  
SHEET 12 OF 12